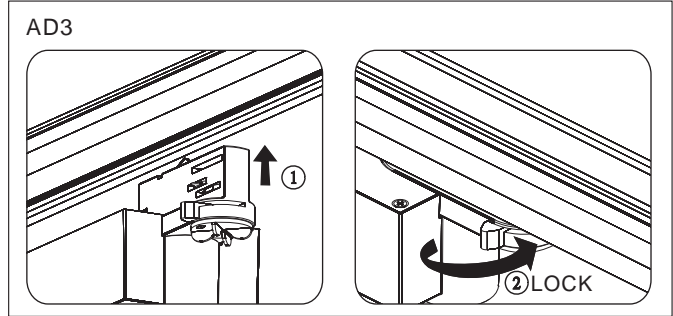
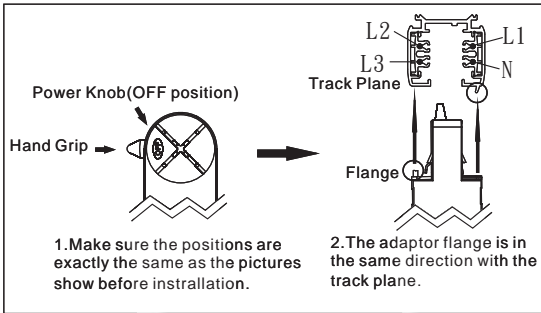


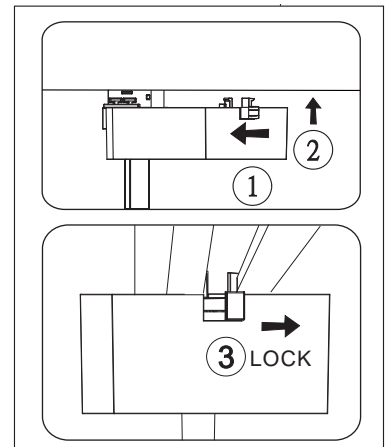
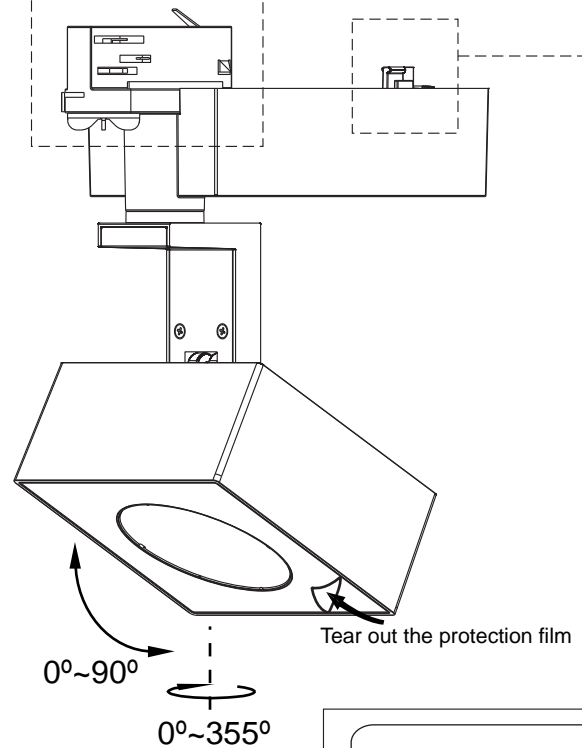
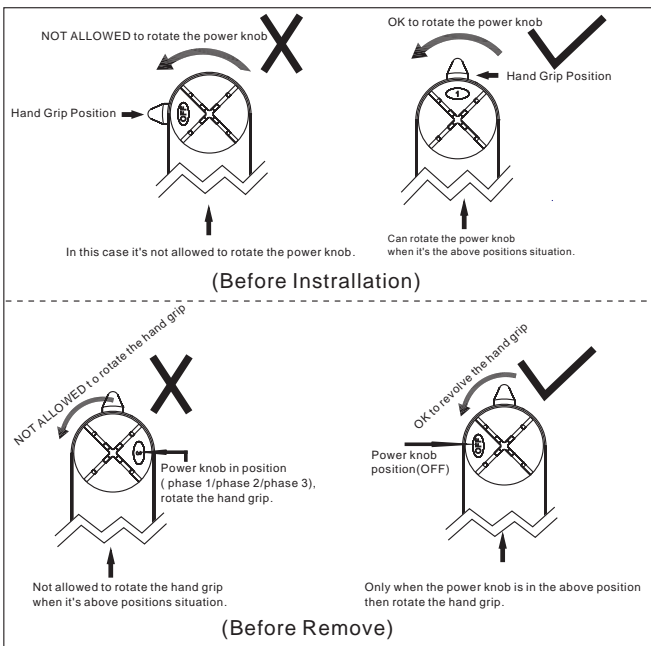
INSTALLATION INSTRUCTION

1. The fixture is for LED.
2. Before installation, make sure that the power supply is off.
3. Follow the steps as down below for installation or replacement of bulb.
4. After finishing every step, tighten the screws, have the fixture fixed, then connect the power supply.
5. It is recommended that these products are installed by a qualified electrician.

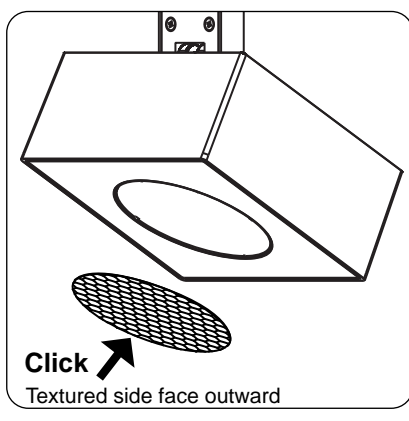
Assembling diagram



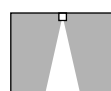
Cautions



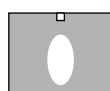
Accessories



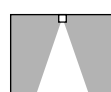
DPSG10-02
24° diffusion sheet



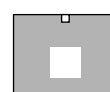
DPS10-02
striped diffusion sheet



DPCG10-02
38° diffusion sheet



DP10-02
retangular shot



DPW10-02
washers diffusion sheet

