

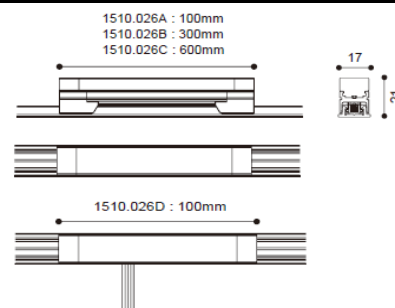
SHUTTLE-L-S



Product specification

INTERIOR LED LINEAR LIGHT

Installation	System light
Cut out	-
Dimension	D=17x21mm

**Technical description**

Article number	1510.026A	1510.026B	1510.026C	1510.026D
LED Consumption	1W	4W	8W	1W
Current	60mA			
CCT	3000K	3000K	3000K	3000K
Lumen ^{*1}	110lm	330lm	660lm	110lm
Øsystem ^{*3}	-	-	-	
Voltage	24V			
Reflector	120°			
CRI	80+			
Driver	Remoted, I/P : 90-264V 50/60HZ O/P : 24Vdc			

Technical character

Insulation	CLASS I
Protection	IP 20
Tilt	-
Rotate	-
Operating temperature	-20~40 °C
Average Failure Time	L70(6k) >36000 (h)

Materials

Luminaire	aluminum extruded body and plastic end cap PC diffuser
Reflector	-
Heat sink	aluminum extruded
Color available	anodized aluminum / Black

Package

inner box	mm 1 kg
outer box	mm 0 kg / 0 in 1

Accessories

None

Remarks

*1. LUMEN : for LED chip test result based on Tc=85°C.

This is the ideal (Maximum) lumen. This lumen information is from the LED supplier

*3. LUMEN(Øsystem) (Total FLUX) : this lumen is from luminaire with heat sink, reflector and fixture, this is the real lumen with the loss because of different design of reflectors and fixtures.

Photometric