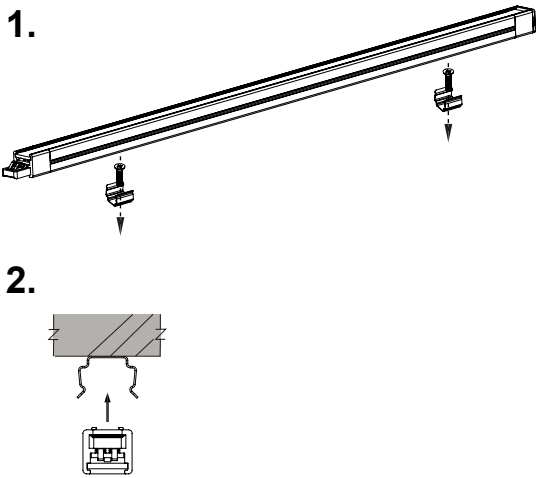


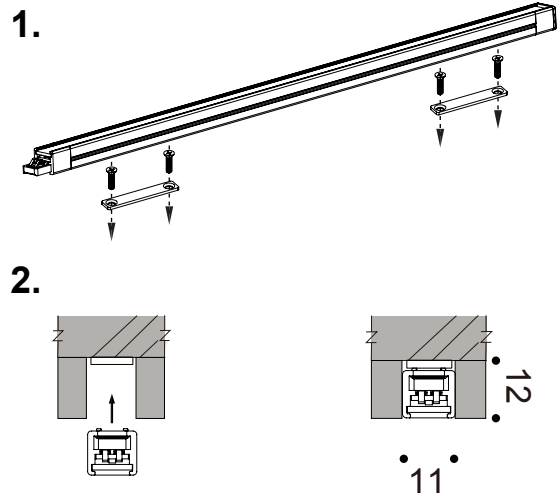
INSTALLATION INSTRUCTION

1. The fixture is for SMD LED DC24V.
2. Before installation, make sure that the power supply is off.
3. Follow the steps as shown below for installation.
4. After finishing every step, tighten the screws, have the fixture fixed, then connect the power supply.
5. It is recommended that these products are installed by a qualified electrician.

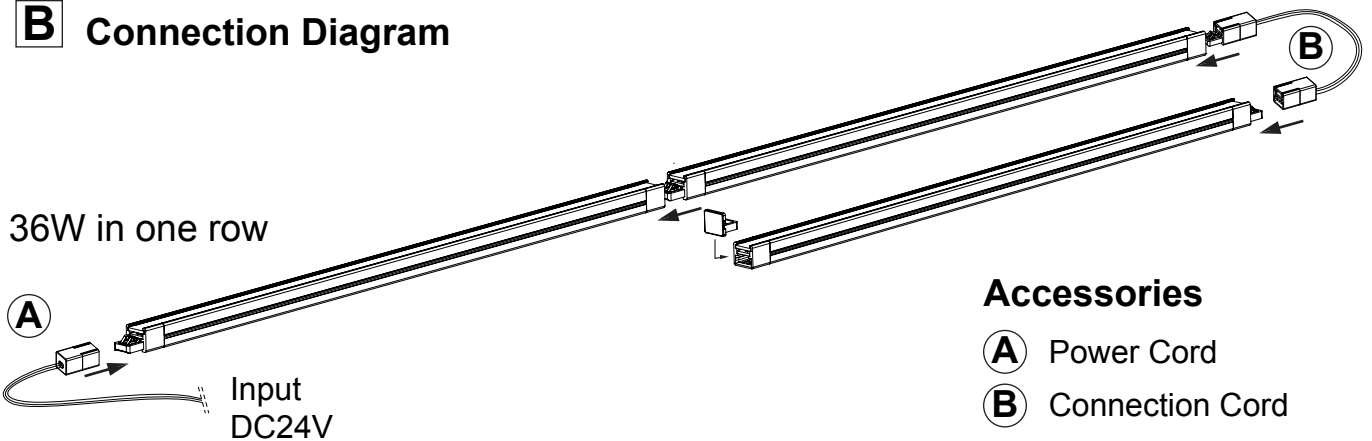
A-1 Installation Clips



A-2 Installation Magnet (Accessories)



B Connection Diagram



Accessories

- (A) Power Cord
- (B) Connection Cord

100mm : 1W / 300mm : 4W
 600mm : 8W / 900mm : 12W
 1200mm : 16W

