

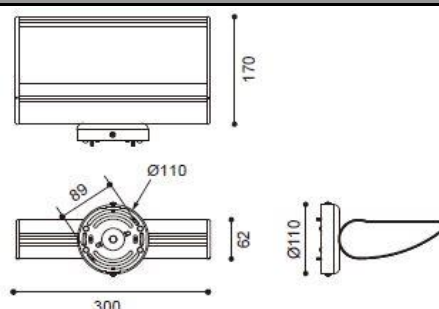
DIPPER



Product specification

INTERIOR SURFACE MOUNTED WALL LIGHT

Installation	Wall mounted
Cut out	-
Dimension	D=62*170 L=300

**Technical description**

Article number	1615.101
LED Consumption	30W
Current	
Lumen *1	2300+(lm)
Øsystem *3	-
Voltage	100-240 (V AC)
Reflector	60°/90°
CCT	3000K
CRI	80+
Driver	Built in, I/P : 100-240V 50/60HZ O/P : 30W Max

Technical character

Insulation	CLASS I
Protection	IP 20
Tilt	-
Rotate	-
Operating temperature	-20~40°C
Average Failure Time	L70(6k) >36000 (h)

Materials

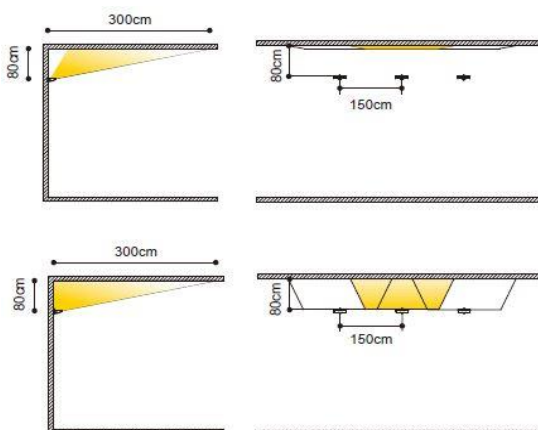
Luminaire	extruded aluminum
Reflector	aluminum
Heat sink	extruded aluminum
Color available	white / black

Package

inner box	-	mm 1 kg
outer box	-	mm 0 kg / 0 in 1

Accessories

None

Remarks**Light distribution**

*1. LUMEN : for LED chip test result based on Tc=85°C.

This is the ideal (Maximum) lumen. This lumen information is from the LED supplier

*3. LUMEN(Øsystem) (Total FLUX) : this lumen is from luminaire with heat sink, reflector and fixture, this is the real lumen with the loss because of different design of reflectors and fixtures.